

S32-16

三节式隐藏阻尼同步滑轨

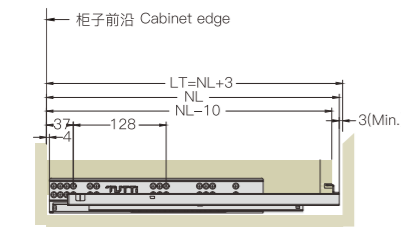
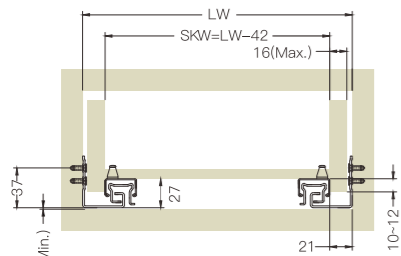
FULL EXTENSION SYNCHRONIZED SOFT CLOSING UNDERMOUNTED SLIDE

载重: 35公斤 Load capacity: 35Kg
 长度: 250-550mm Length: 250-550mm
 抽屉高度调节量0~+3mm Drawer height adjustment: 0~+3mm
 抽屉前后调节量0~+5mm Drawer depth adjustment: 0~+5mm
 抽屉左右调节量±1.5mm Drawer width adjustment: ±1.5mm

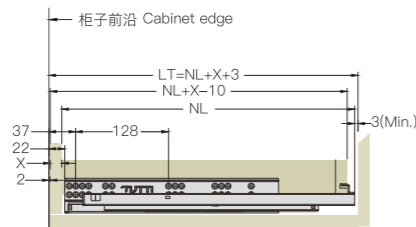


滑轨安装尺寸 Installation dimensions

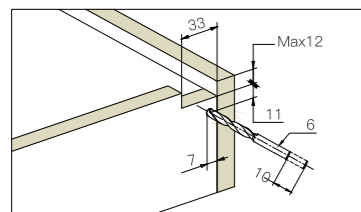
SKW=抽屉内宽度 Internal drawer width
 LW=柜内宽度 Internal cabinet width
 NL=滑轨标称长度 Slide length
 LT=柜内深度 Internal cabinet depth
 抽屉尺寸和钻孔 Drawer size and boring
 侧板最大厚度: 16mm Max drawerside thickness: 16mm



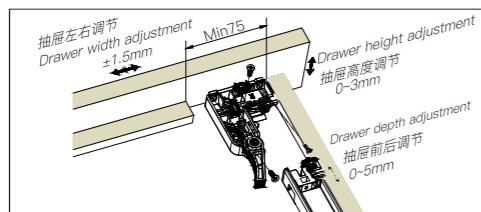
外置抽屉 Standard drawer



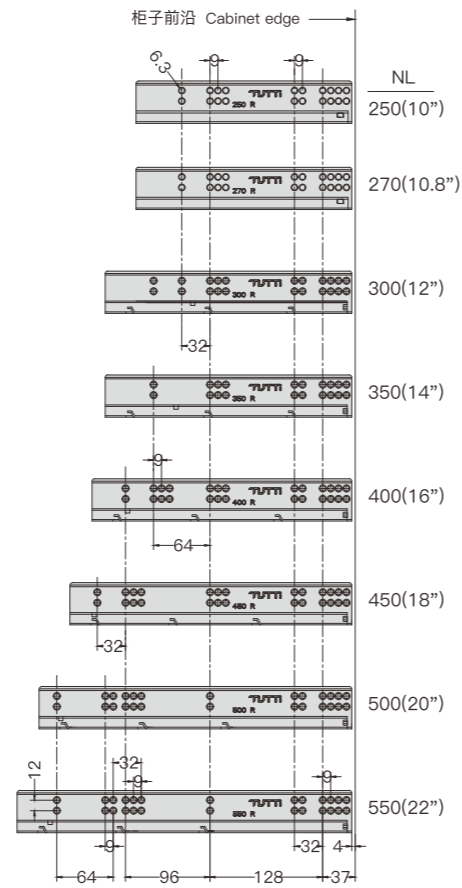
内置抽屉 Internal drawer



抽屉尺寸和钻孔(mm) Drawer size and drilling



滑轨安装孔位 Hole position



S32-18

三节式隐藏阻尼同步滑轨

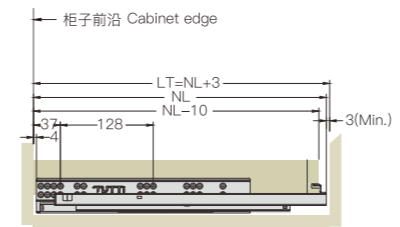
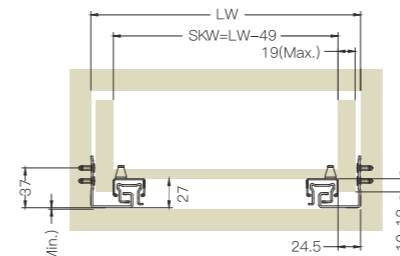
FULL EXTENSION SYNCHRONIZED SOFT CLOSING UNDERMOUNTED SLIDE

载重: 35公斤 Load capacity: 35Kg
 长度: 250-550mm Length: 250-550mm
 抽屉高度调节量0~+3mm Drawer height adjustment: 0~+3mm
 抽屉前后调节量0~+5mm Drawer depth adjustment: 0~+5mm
 抽屉左右调节量±1.5mm Drawer width adjustment: ±1.5mm

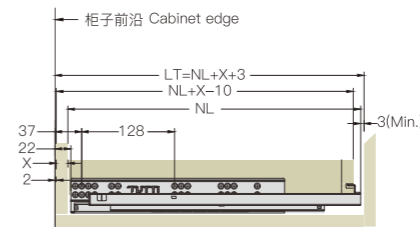


滑轨安装尺寸 Installation dimensions

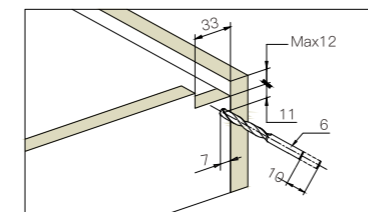
SKW=抽屉内宽度 Internal drawer width
 LW=柜内宽度 Internal cabinet width
 NL=滑轨标称长度 Slide length
 LT=柜内深度 Internal cabinet depth
 抽屉尺寸和钻孔 Drawer size and boring
 侧板最大厚度: 19mm Max drawerside thickness: 19mm



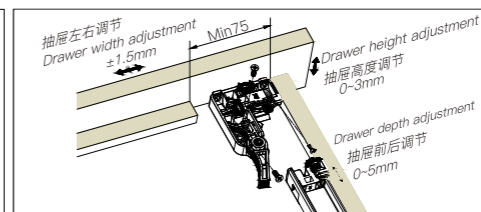
外置抽屉 Standard drawer



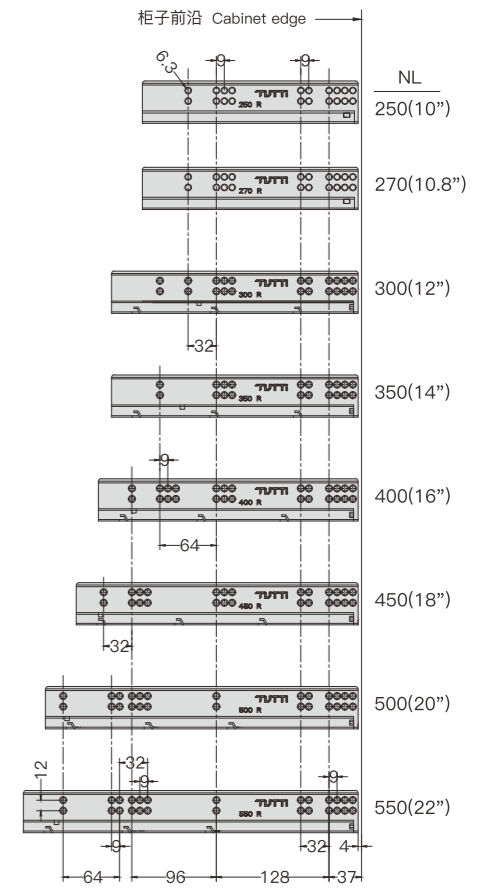
内置抽屉 Internal drawer



抽屉尺寸和钻孔(mm) Drawer size and drilling



滑轨安装孔位 Hole position



S32F-16

三节式隐藏反弹同步滑轨

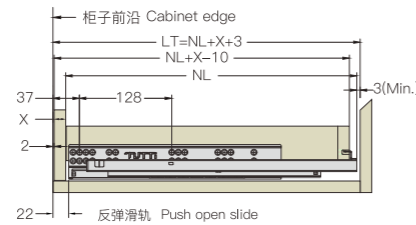
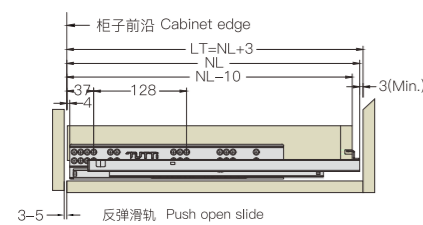
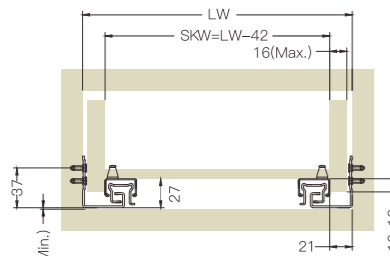
PUSH OPEN FULL EXTENSION SYNCHRONIZED UNDERMOUNTED SLIDE

载重: 35公斤 Load capacity: 35Kg
 长度: 250-550mm Length: 250-550mm
 抽屉高度调节量0~+3mm Drawer height adjustment: 0~+3mm
 抽屉左右调节量±1.5mm Drawer width adjustment: ±1.5mm



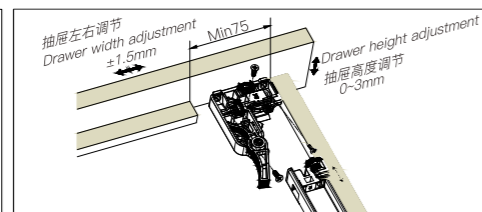
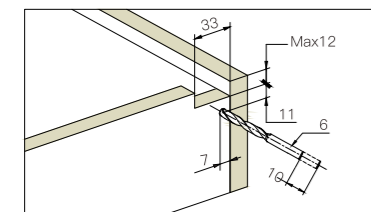
滑轨安装尺寸 Installation dimensions

SKW=抽屉内宽度 Internal drawer width
 LW=柜内宽度 Internal cabinet width
 NL=滑轨标称长度 Slide length
 LT=柜内深度 Internal cabinet depth
 抽屉尺寸和钻孔 Drawer size and boring
 侧板最大厚度: 16mm Max drawerside thickness: 16mm



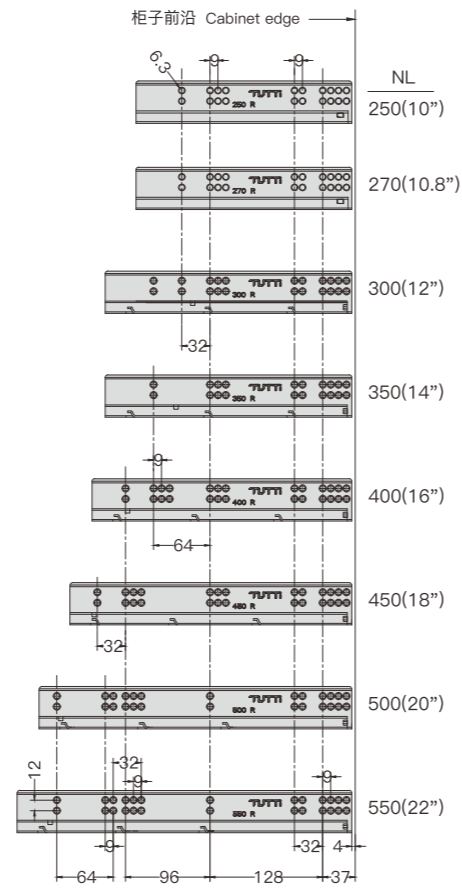
外置抽屉 Standard drawer

内置抽屉 Internal drawer



抽屉尺寸和钻孔(mm) Drawer size and drilling

滑轨安装孔位 Hole position



S32F-18

三节式隐藏反弹同步滑轨

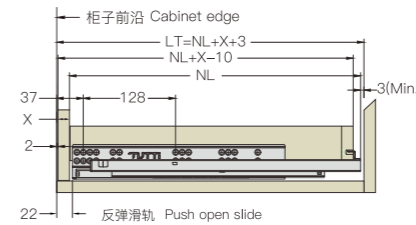
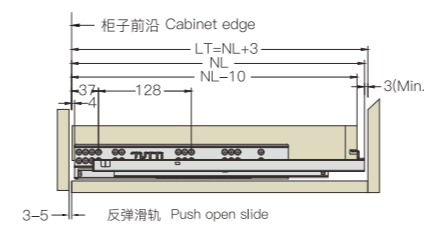
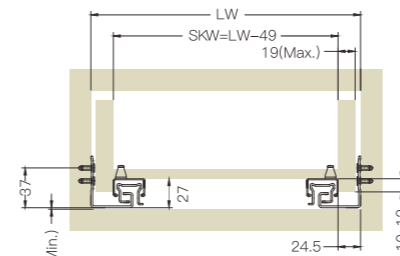
FULL EXTENSION SYNCHRONIZED SOFT CLOSING UNDERMOUNTED SLIDE

载重: 35公斤 Load capacity: 35Kg
 长度: 250-550mm Length: 250-550mm
 抽屉高度调节量0~+3mm Drawer height adjustment: 0~+3mm
 抽屉左右调节量±1.5mm Drawer width adjustment: ±1.5mm



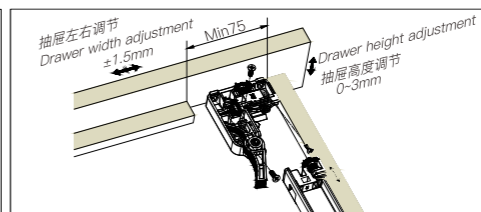
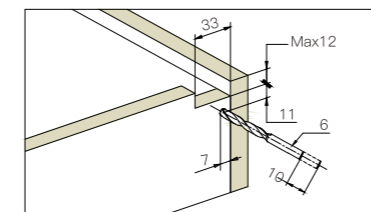
滑轨安装尺寸 Installation dimensions

SKW=抽屉内宽度 Internal drawer width
 LW=柜内宽度 Internal cabinet width
 NL=滑轨标称长度 Slide length
 LT=柜内深度 Internal cabinet depth
 抽屉尺寸和钻孔 Drawer size and boring
 侧板最大厚度: 19mm Max drawerside thickness: 19mm



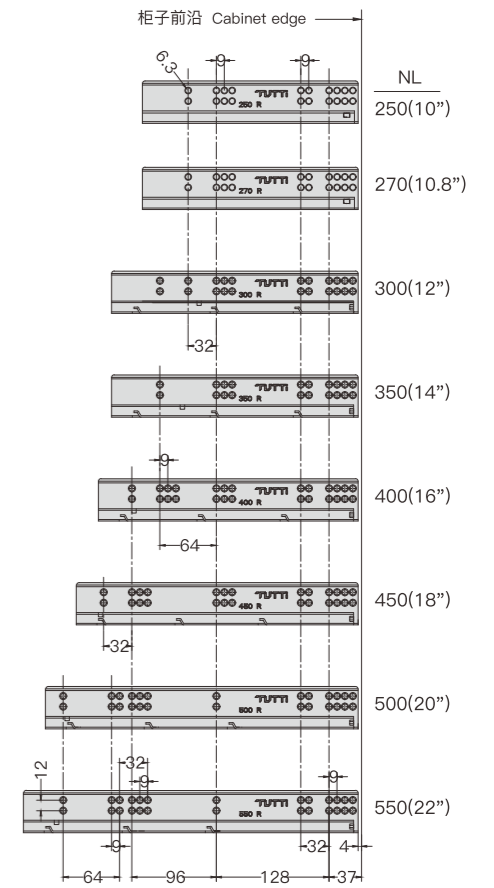
外置抽屉 Standard drawer

内置抽屉 Internal drawer



抽屉尺寸和钻孔(mm) Drawer size and drilling

滑轨安装孔位 Hole position



S32FT-16

三节式隐藏同步反弹滑轨

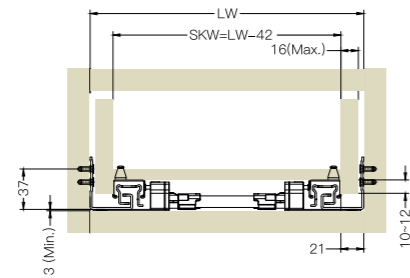
FULL EXTENSION SYNCHRONIZED PUSH OPEN UNDERMOUNTED SLIDE

载重: 35公斤 Load capacity: 35Kg
 长度: 250-550mm Length: 250-550mm
 抽屉高度调节量0~+3mm Drawer height adjustment: 0~+3mm
 抽屉左右调节量±1.5mm Drawer width adjustment: ±1.5mm

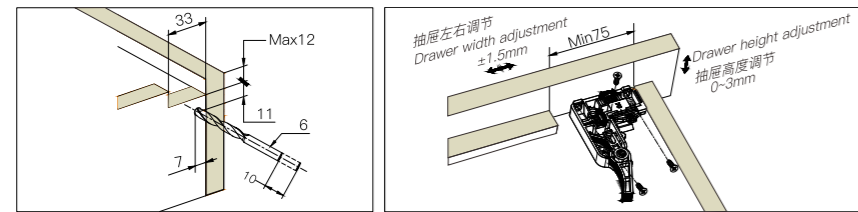
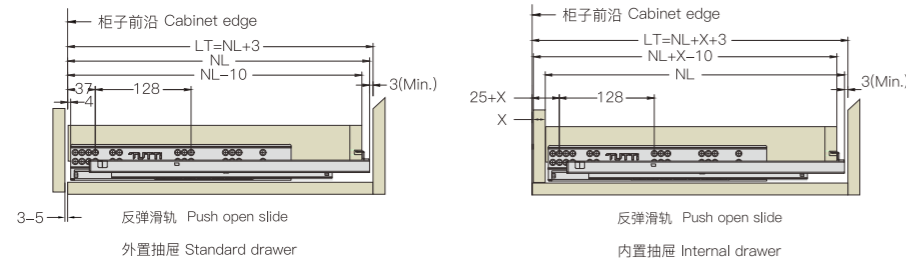
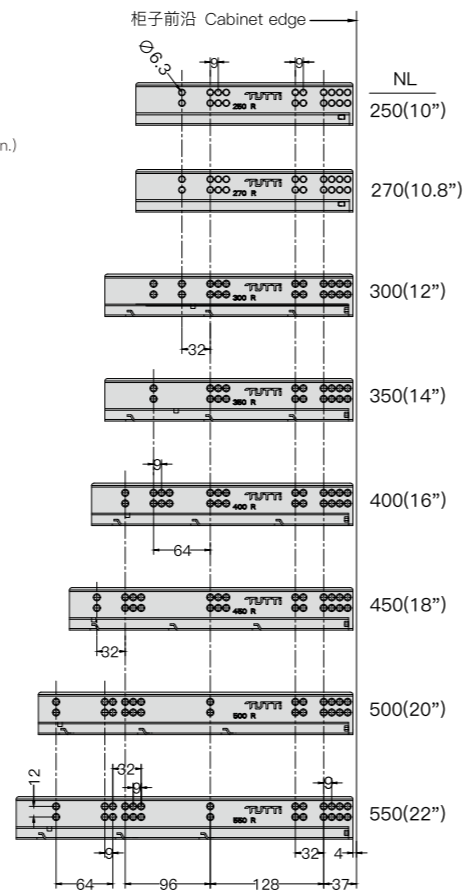


滑轨安装尺寸 Installation dimensions

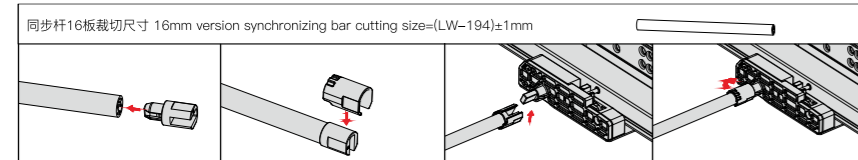
SKW=抽屉内宽度 Internal drawer width
 LW=柜内宽度 Internal cabinet width
 NL=滑轨标称长度 Slide length
 LT=柜内深度 Internal cabinet depth
 侧板最大厚度: 16mm Max drawerside thickness: 16mm



滑轨安装孔位 Hole position



同步杆安装步骤 Installation steps for synchronizing bar:



S32FT-18

三节式隐藏同步反弹滑轨

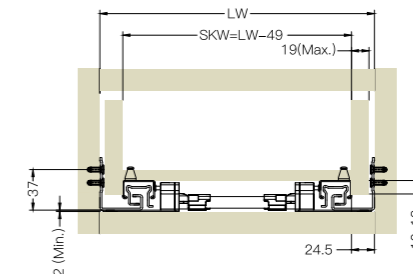
FULL EXTENSION SYNCHRONIZED PUSH OPEN UNDERMOUNTED SLIDE

载重: 35公斤 Load capacity: 35Kg
 长度: 250-550mm Length: 250-550mm
 抽屉高度调节量0~+3mm Drawer height adjustment: 0~+3mm
 抽屉左右调节量±1.5mm Drawer width adjustment: ±1.5mm

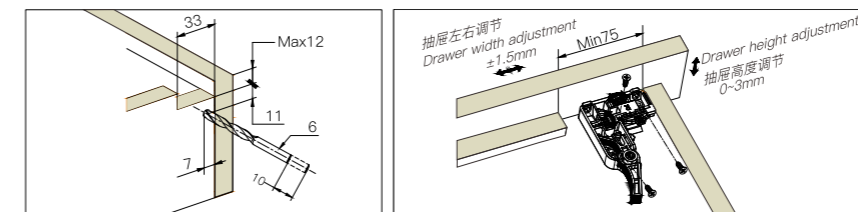
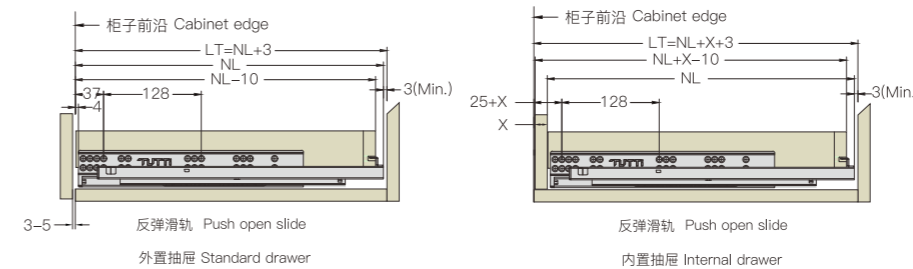


滑轨安装尺寸 Installation dimensions

SKW=抽屉内宽度 Internal drawer width
 LW=柜内宽度 Internal cabinet width
 NL=滑轨标称长度 Slide length
 LT=柜内深度 Internal cabinet depth
 侧板最大厚度: 19mm Max drawerside thickness: 19mm



滑轨安装孔位 Hole position



同步杆安装步骤 Installation steps for synchronizing bar:

